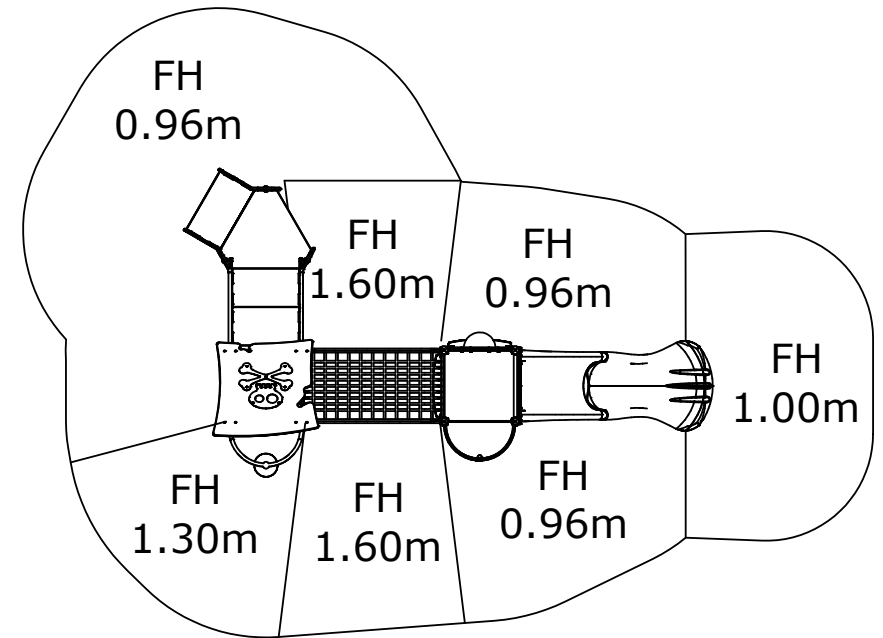
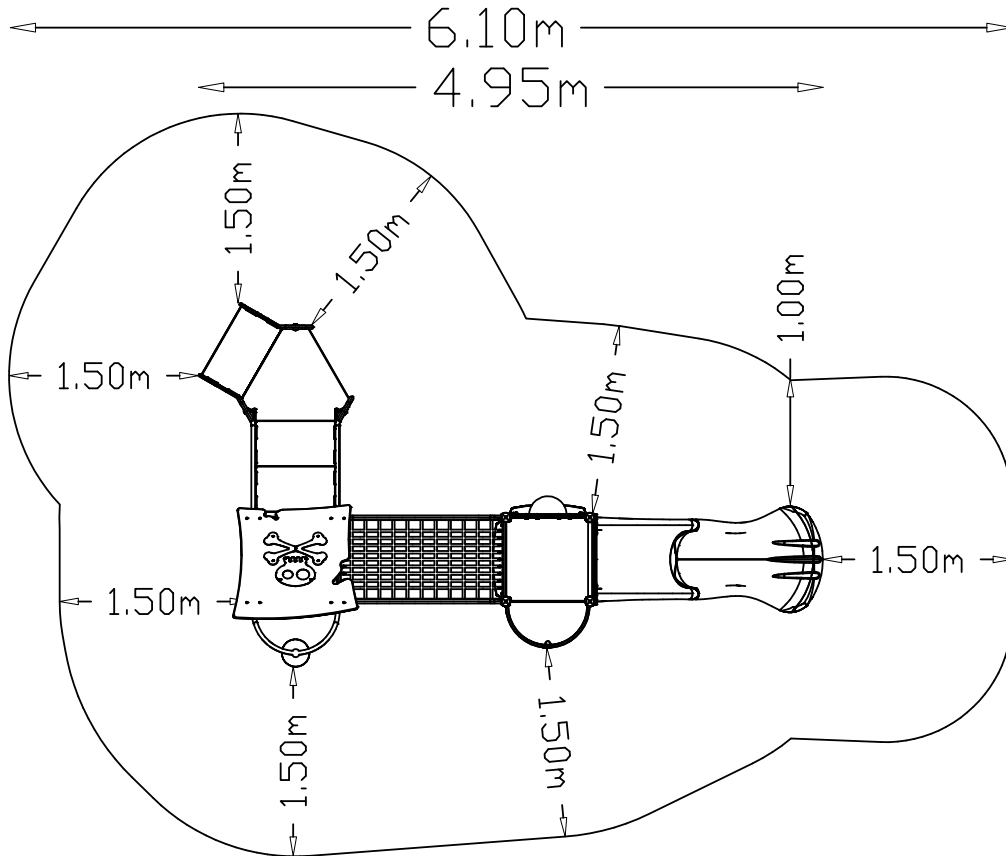
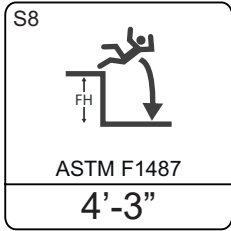
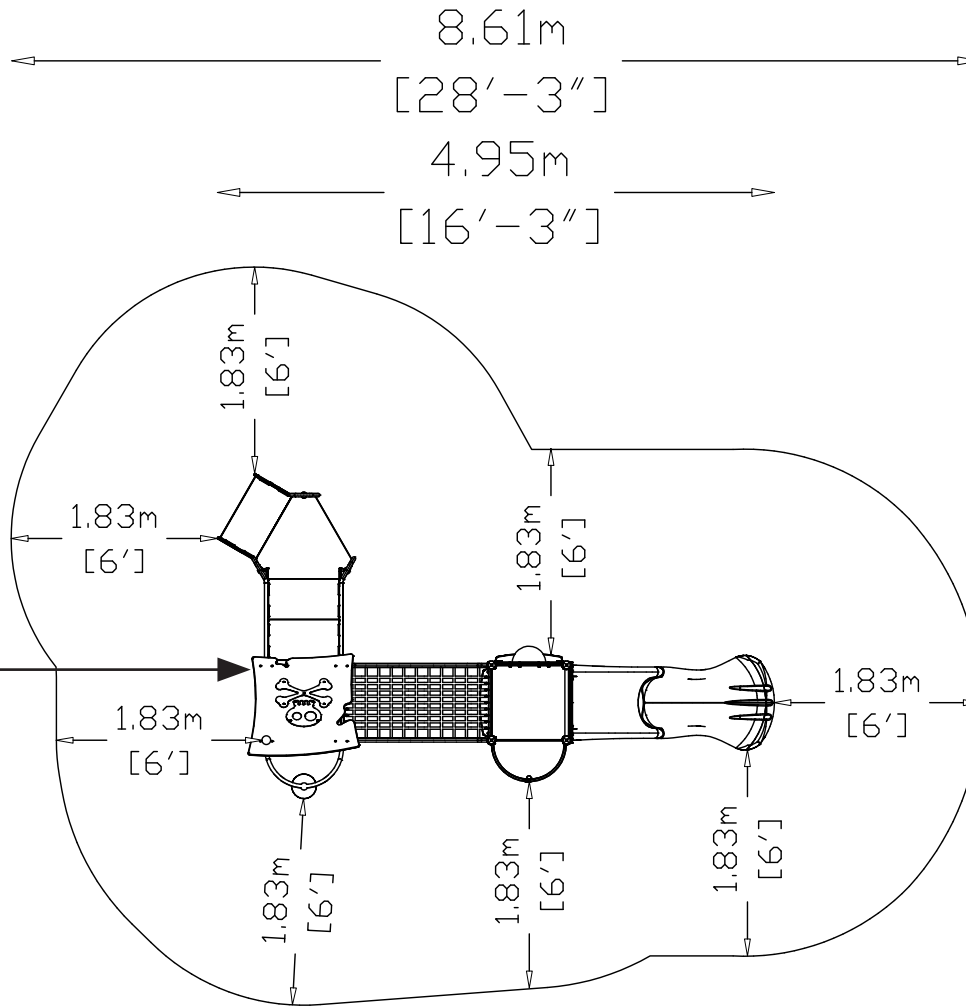


EN1176





ASTM F1487



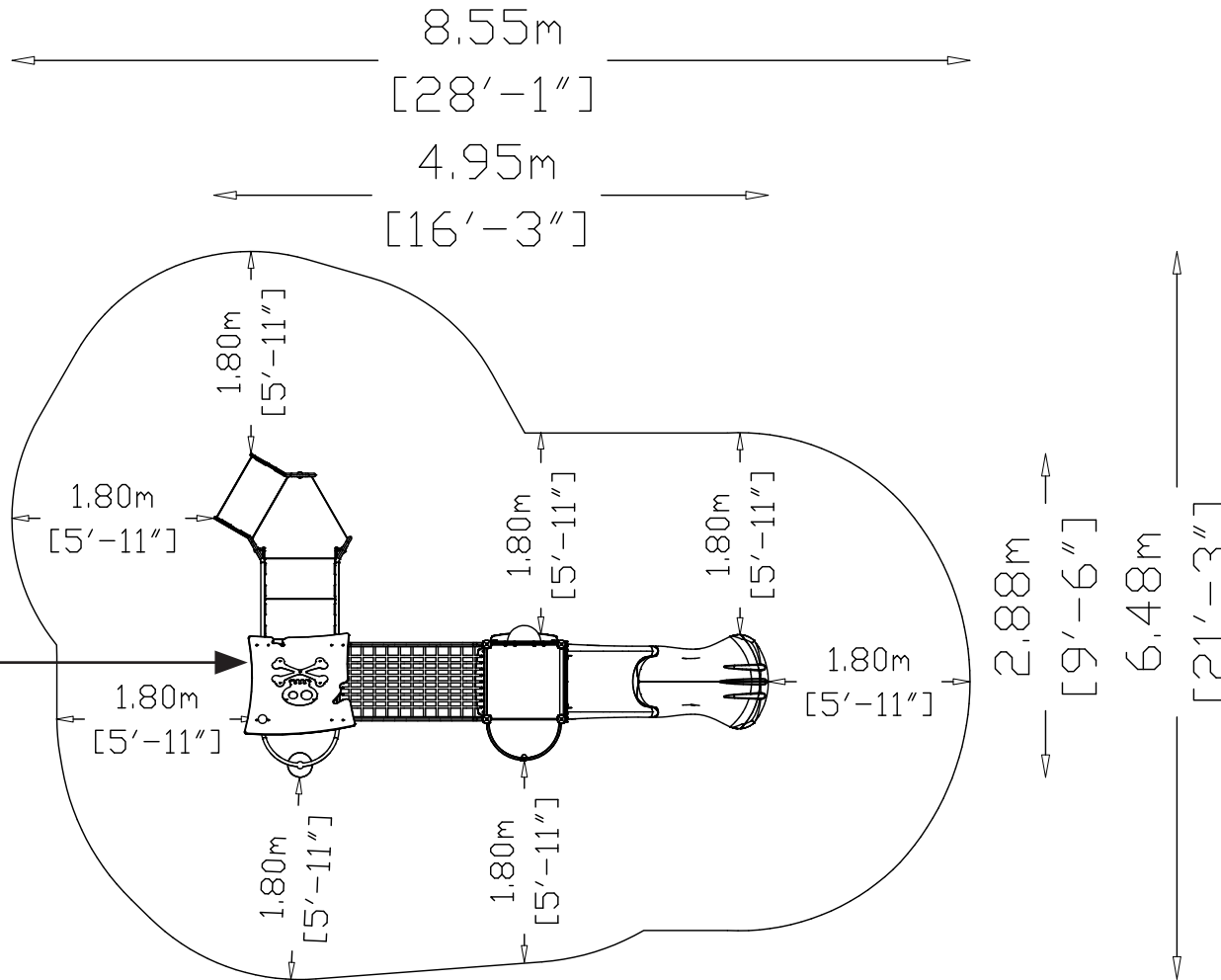
 INSTALL 101	<p>⚠ WARNING Playset equipment must be installed in accordance with the instructions provided in the assembly manual and must be installed on a suitable surface. Do not allow children to play on the equipment until it is inspected and approved by a qualified professional. Check for hot surfaces before allowing children to play.</p>	<p>play smart! rules</p> <p>✓ Do not play on broken or damaged equipment. Report it. ✓ Do not play without adequate safety gearing and protective equipment. ✓ No talking, taunting or shouting should be done while on equipment. ✓ Do not play on any surface or equipment that is not intended for play. ✓ Do not play on any surface or equipment that is not intended for play. ✓ Do not play on any surface or equipment that is not intended for play. ✓ Do not play on any surface or equipment that is not intended for play.</p>
	<p>⚠ WARNING Children are required to use only one surface at a time. Do not climb on any surface or equipment. Do not climb on any surface or equipment. Do not climb on any surface or equipment. Do not climb on any surface or equipment. Do not climb on any surface or equipment.</p>	
	<p>⚠ WARNING All playset equipment and other surfaces that are not intended for play should be checked for hot surfaces before allowing children to play. Children should wear appropriate protective clothing.</p>	



S9

CSA Z 614
1.30m
[4'-3"]

CSA Z614



INSTALL 101

<p>WARNING Playground equipment must not have surface hot or cold areas capable of causing burns or frostbite. Check for hot surfaces before allowing children to play. Children should wear appropriate shoes at all times.</p> <p>WARNING Children are required to use stairs and ladders caught on slides and other playground equipment. Before allowing children to play, verify ladders, stairs, walkways, handrails, and slides are properly installed through the slats. Also, verify eye height, swing, or other loose parts are in compliance.</p> <p>WARNING All playground equipment and rubber surfacing must be inspected for damage to ensure safety. Check for hot surfaces before allowing children to play. Children should wear appropriate shoes at all times.</p> <p>WARNING Playing high or moving on or under playground equipment can lead to serious injury from falls, collisions, and head strikes. Do not use equipment until playground supervisor has authorized the playing and be supervised.</p>	<p>WARNING Playground equipment must not have surface hot or cold areas capable of causing burns or frostbite. Check for hot surfaces before allowing children to play. Children should wear appropriate shoes at all times.</p> <p>WARNING Children are required to use stairs and ladders caught on slides and other playground equipment. Before allowing children to play, verify ladders, stairs, walkways, handrails, and slides are properly installed through the slats. Also, verify eye height, swing, or other loose parts are in compliance.</p> <p>WARNING All playground equipment and rubber surfacing must be inspected for damage to ensure safety. Check for hot surfaces before allowing children to play. Children should wear appropriate shoes at all times.</p> <p>WARNING Playing high or moving on or under playground equipment can lead to serious injury from falls, collisions, and head strikes. Do not use equipment until playground supervisor has authorized the playing and be supervised.</p>	<p>play smart® rules</p> <ul style="list-style-type: none"> ✓ Do not play on broken or damaged equipment. Report it. ✓ Do not play without adequate safety clothing and footwear. ✓ No talking, pushing or shoving equipment. ✓ Do not play on or run on playground equipment and its structure until it is repaired. ✓ Watch your head! Do not run, climb, swing, slide, or use playground equipment. ✓ Do not play on swings or see equipment. ✓ Do not climb on walls, fences, or posts, or on top of ground through holes. ✓ Do not drink or eat while playing. ✓ Slide sitting down, feet first, and one at a time. Do not slide up slides or ladders. ✓ Adults - do not slide with a child on your lap. It can injure your child's legs. ✓ Before letting go of overhead bars, hand down with both hands and slide straight down with both feet. ✓ Swing sitting down and do not jump or while swinging. Do not touch other
---	---	---

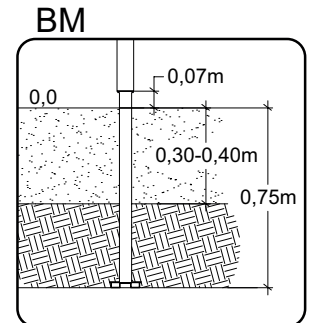
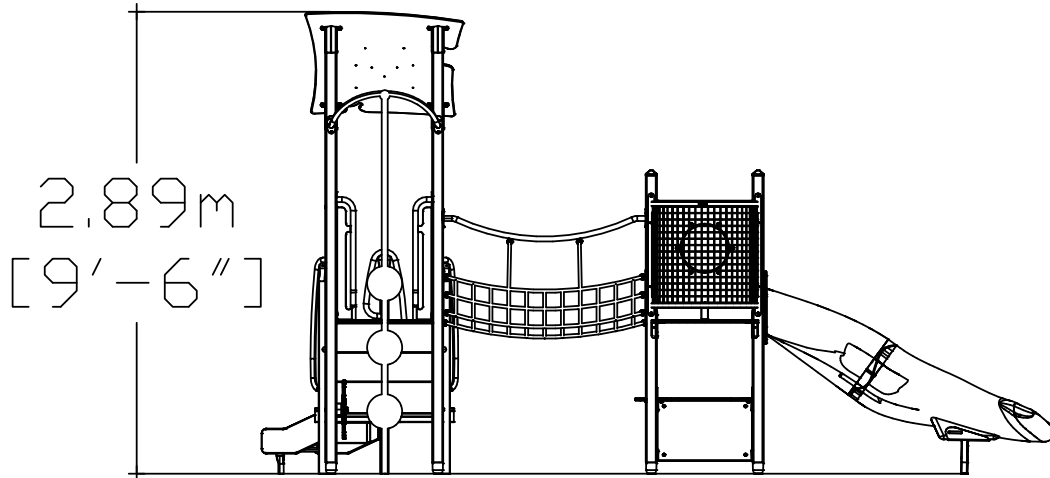
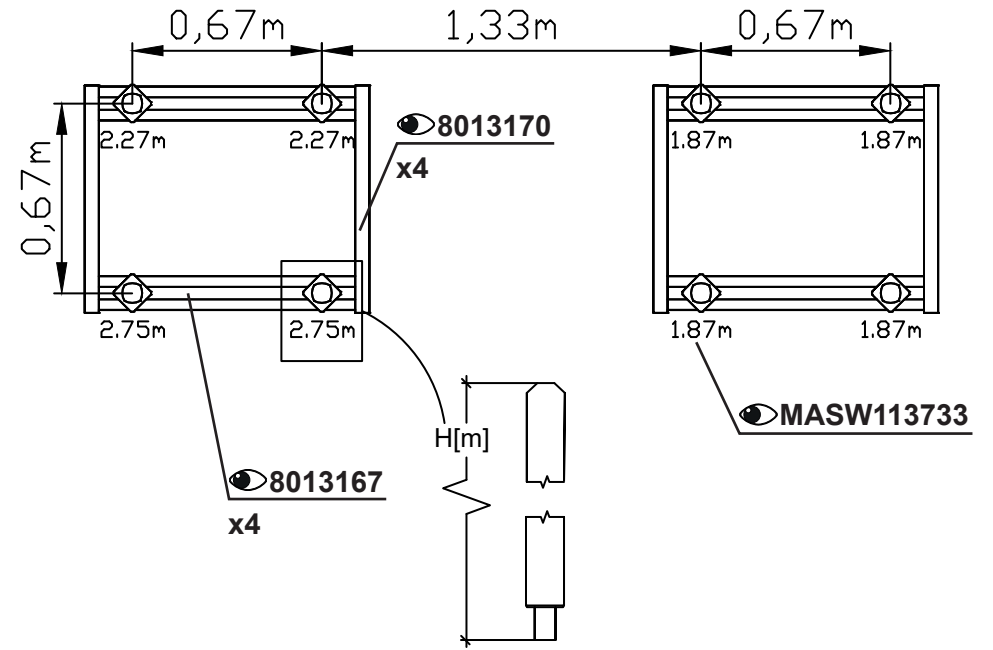
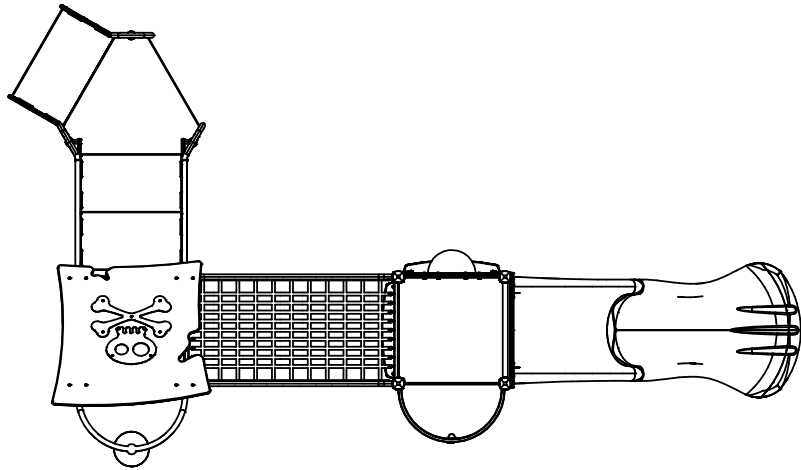


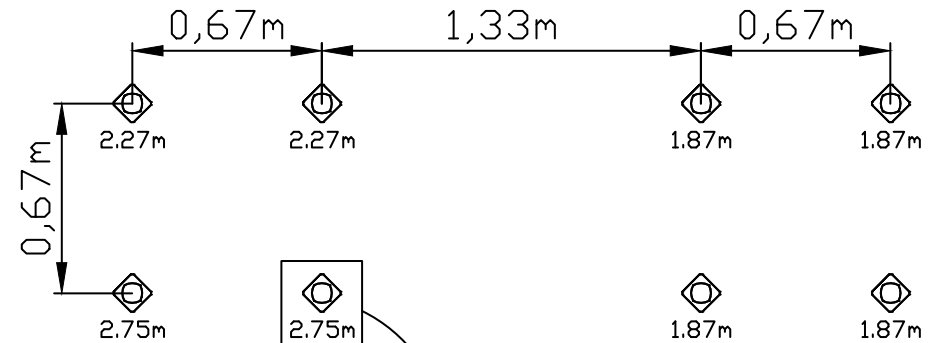
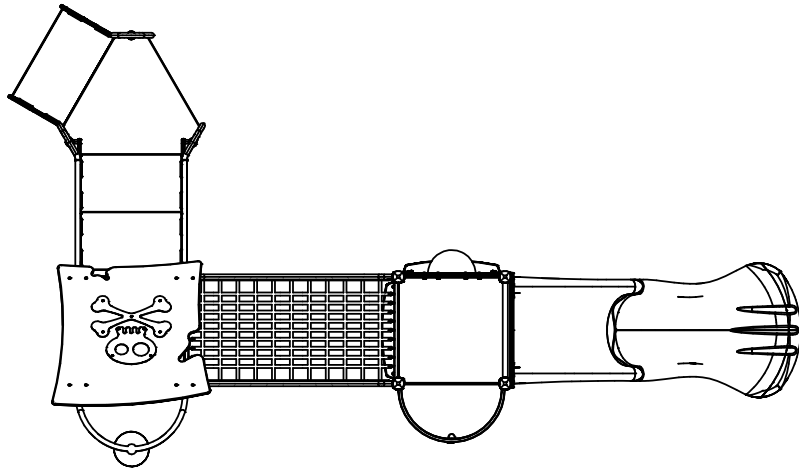
811855

HAGS®

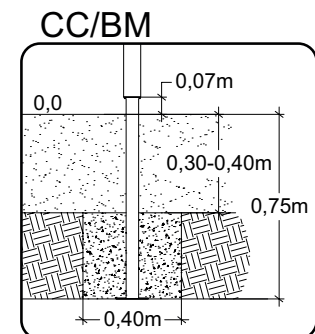
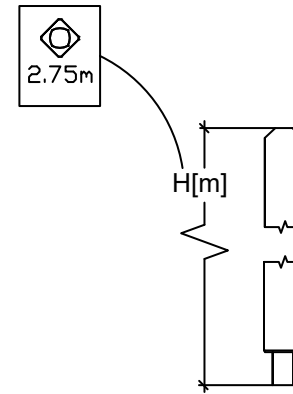
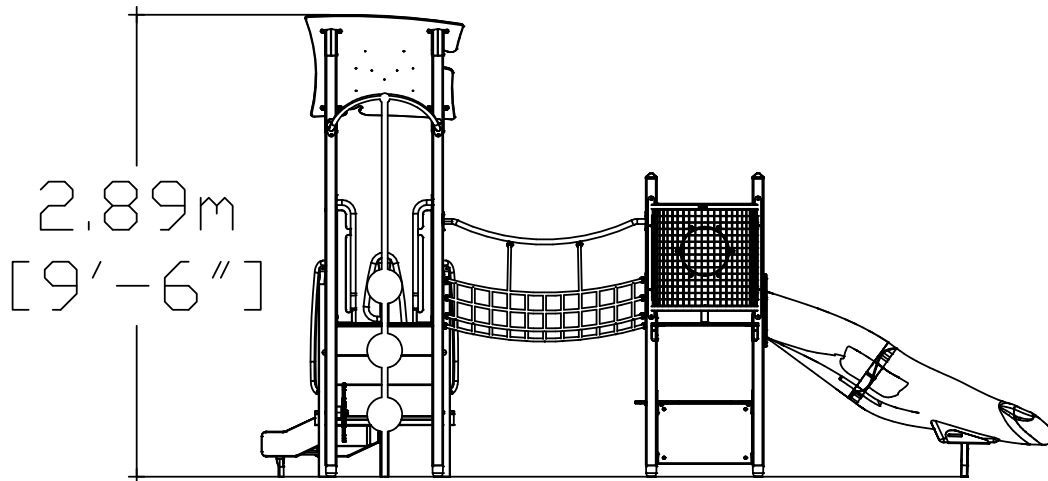
FOR KIDS AGES
18-5
MONTHS YEARS

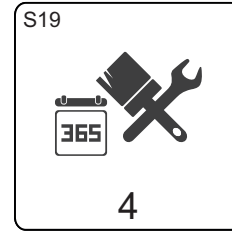
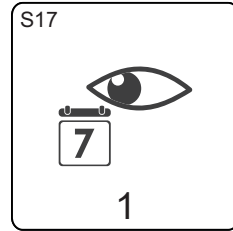
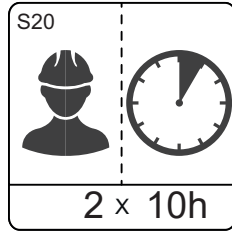
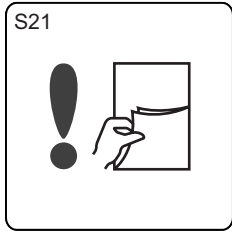
ADULT SUPERVISION RECOMMENDED
www.hags.com





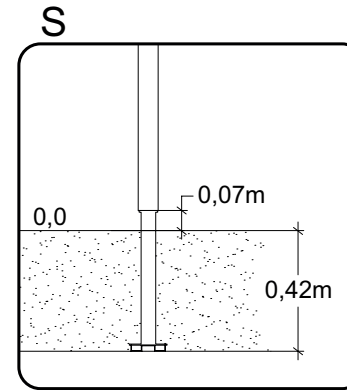
MASW113733



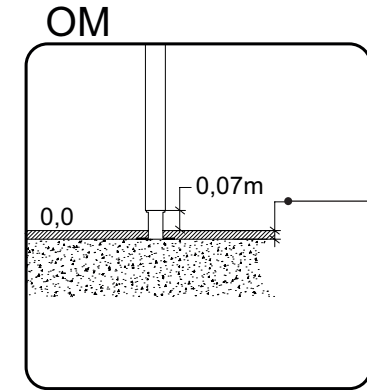


MASW113733

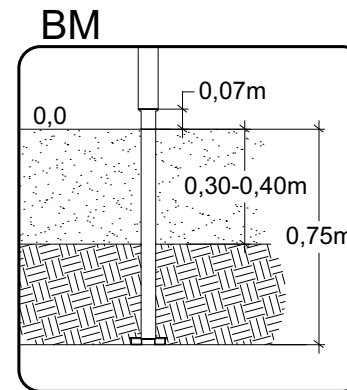
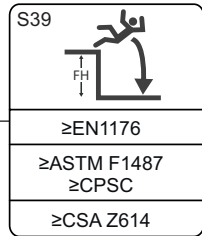
Install 101
6099
6101
260329
692213
695105
6211 01
MA622U77152
MA624U675321
MA624U77152
MAOM675321
MASW113733
MASW35156
MASW46226
MASW79987
MASW121245
MAUSW117643
MAUSW117644



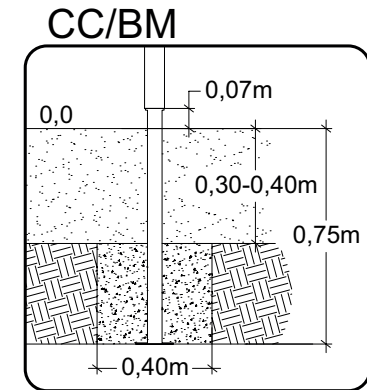
S
Sunken Foundation



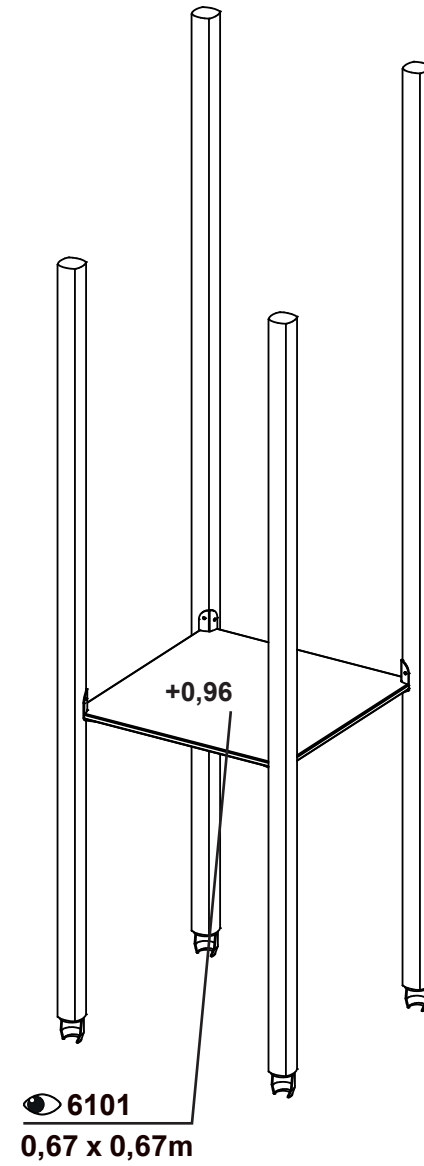
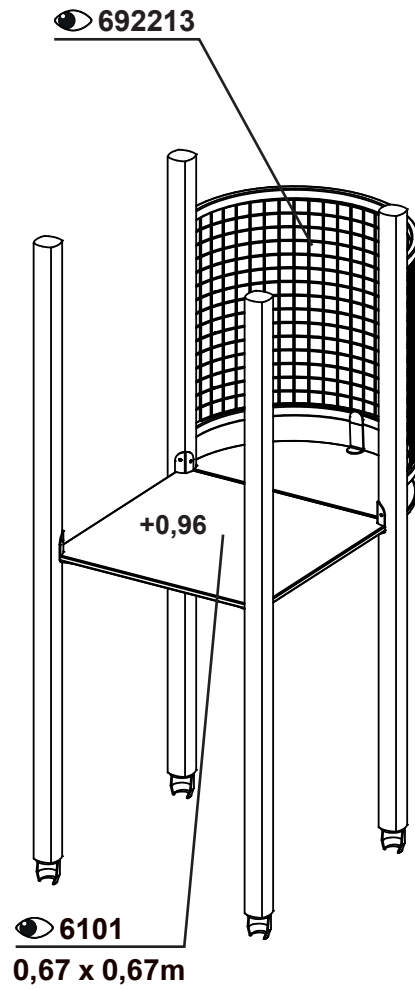
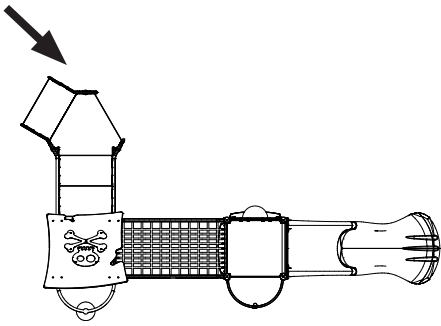
OM
Above Ground

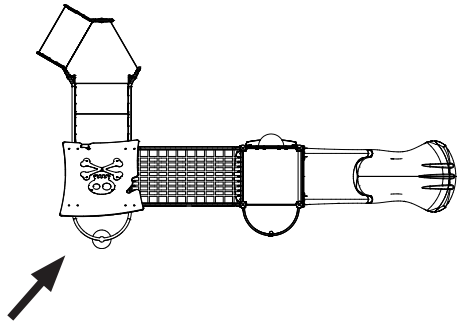


BM
Loosefill
 8111721



CC/BM
Cast Loosefill
 8111721

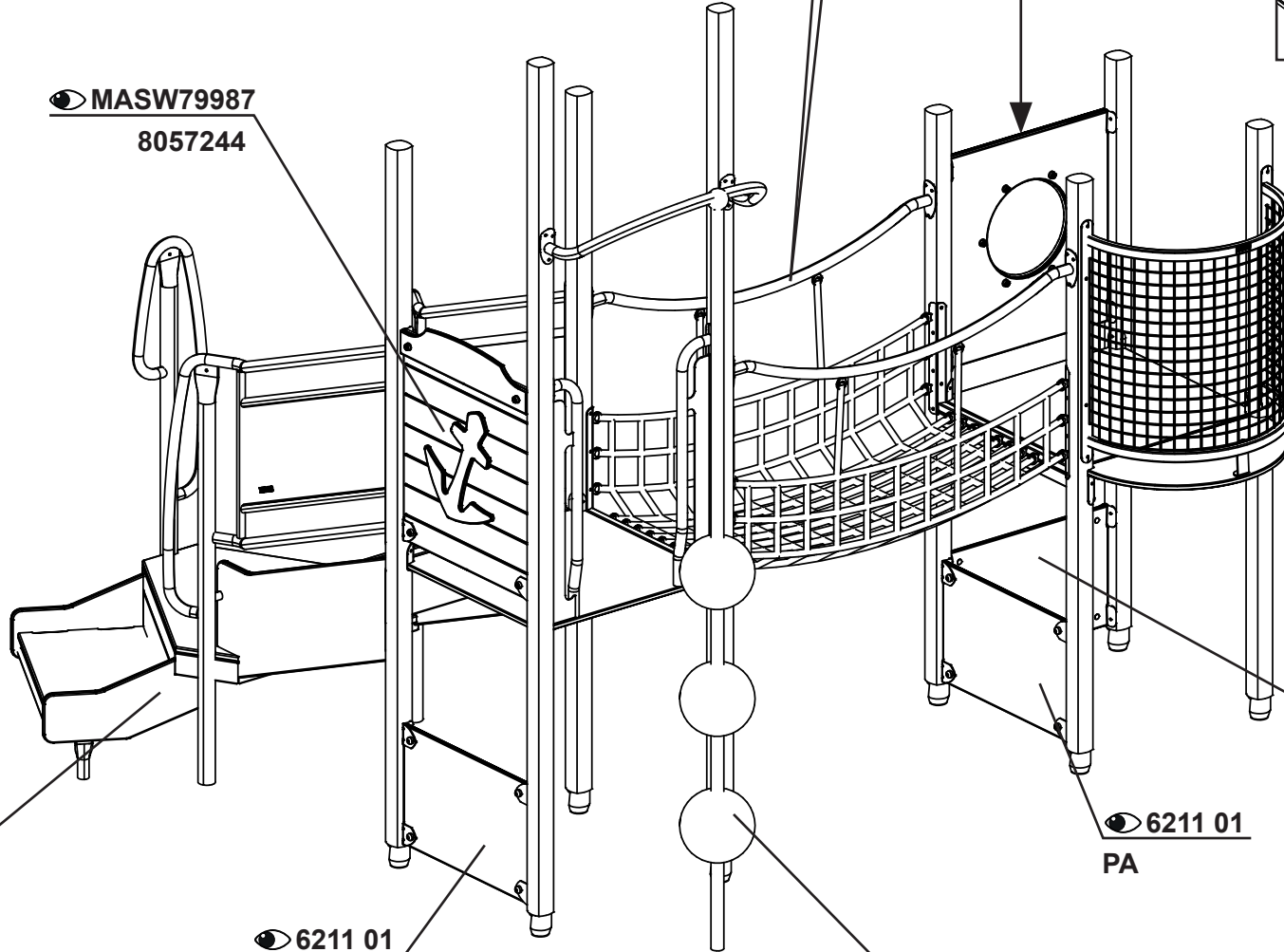
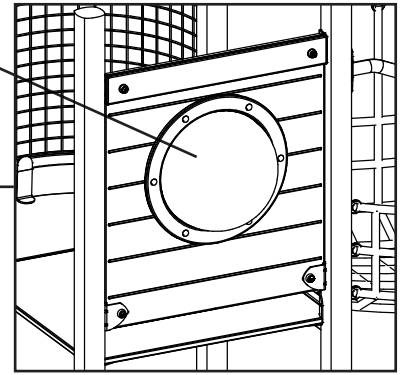




● MASW79987
8057244

● MASW79987
8057233

● MASW121245
+1,60m



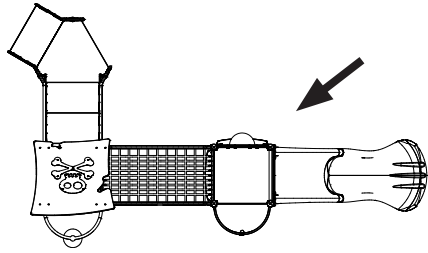
● MA624U675321 [BM]
● MAOM675321 [OM]

● 6211 01
PA

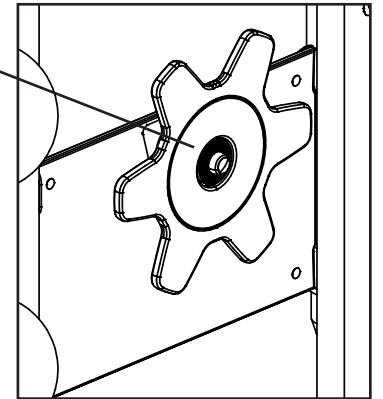
● 6211 01
PA

● 6211 01
PA

● MA624U77152 [BM]
● MA622U77152 [OM]



● MASW35156



● MASW46226

● 6099

x4

● MAUSW117644 [BM]

● MAUSW117643 [OM]

● 695105

● 695105

